

RESILIENT SEAT GATE VALVE LITE PATTERN DN80 - DN300 MODEL: RSGVL



FEATURES AND BENEFITS

- Designed and tested in accordance with AS2638.2
- AS2638.2 StandardsMark Certified product by SAI Global Licence No: SMPK20472.
- WaterMark Approved product by SAI Global Licence No: WMK20472
- WSAA Accredited—Appraisal Number: PA06-09.
- AS4020 tested and approved.
- Valve sizing conforms to the Australian requirements of the Water Supply Code
- The Body and Bonnet are made of high grade ductile iron to AS1831.
- The complete wedge is fully encapsulated by rubber preventing creep and corrosion.
- Drop tight seal.
- Key Cap operation
- Valves can be supplied in clockwise or anti-clockwise closing directions.
- Fusion bonded epoxy coating to AS4158 internally and externally providing longer life and excellent corrosion protection.
- Full bore ports avoid the ingress of debris

Options

- Hand Wheels
- Extensions



TECHNICAL SPECIFICATION

- **Construction:** Resilient Seated Gate Valve
- **Size:** 80mm - 300mm
- **Pressure Rating:** PN16
- **Face to Face:** According to AS2638.2
- **Flange Drilling:** AS4087 B5 (Table D)
- **Coatings:** AS4158
- **Temperature Max:** 40°C
- **Pressure Testing:** According to AS2638.2
 - Body: 24 BAR
 - Seat: 16 BAR

APPLICATIONS

Challenger Valves and Actuators are the “**Right Choice for Valves and Actuation**” when quality matters.

Servicing industries such as : Water & Waste Water, Mining, Pumping, Industrial Processing, Irrigation, Materials Handling and General Industries.

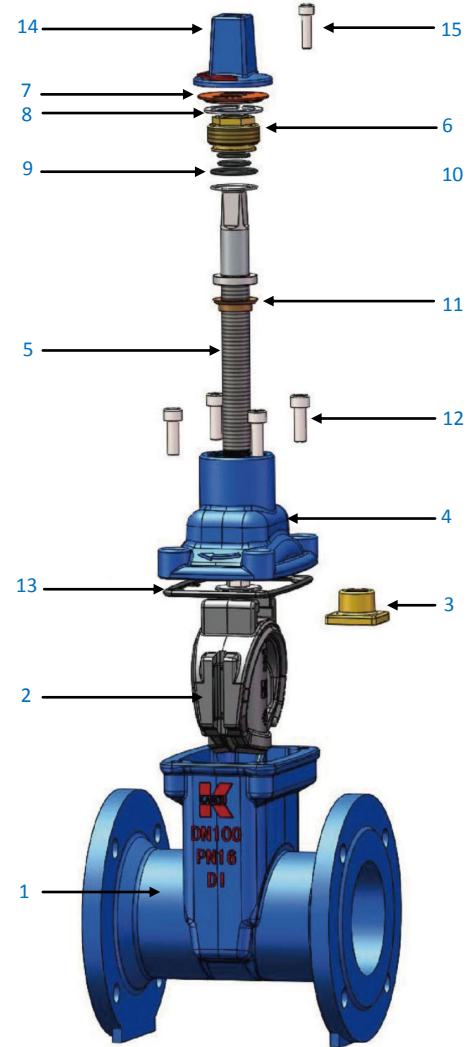


RESILIENT SEAT GATE VALVE LITE PATTERN DN80 - DN300 MODEL: RSGVL



TECHNICAL : VALVE MATERIALS

ITEM	COMPONENT	MATERIAL	STANDARD
1	Body	Ductile Iron, 450-10	AS1831
2	Gate	Ductile Iron, 450-10, core fully encapsulated with EPDM rubber Integral wedge nut	AS1831 AS1646
3	Wedge Nut	Bronze C95210	AS1565
4	Bonnet	Ductile Iron, 450-10	AS1831
5	Stem	Stainless Steel, 431	ASTM A276
6	Stem Bearing	Bronze C95210	AS1565
7	Dust Cover	PP	
8	Limit Ring	POM	
9	O-Ring	NBR rubber	AS1646
10	O-Ring	NBR rubber	AS1646
11	Down Bearing	Bronze C95210	AS1565
12	Cover Bolts	Stainless Steel, 316	ASTM A276
13	Bonnet Gasket	EPDM rubber	AS1646
14	Key Cap	Ductile Iron, 450-10	AS1831
15	Cap Bolt	Stainless Steel, 316	ASTM A276



DIMENSIONS									
DN	K	D	L	H	T	n-Ød	Weight (Kg)	No. of Turns to Open/Close	
80	146	185	203	257	18	4-Ø18	12	18	
100	178	215	229	284	20	4-Ø18	17	23	
150	235	280	267	382	23	8-Ø18	33	34	
200	292	335	292	477	23	8-Ø18	52	41	
250	356	405	330	563	24	8-Ø22	100	46	
300	406	455	356	638	30	12-Ø22	150	46	

