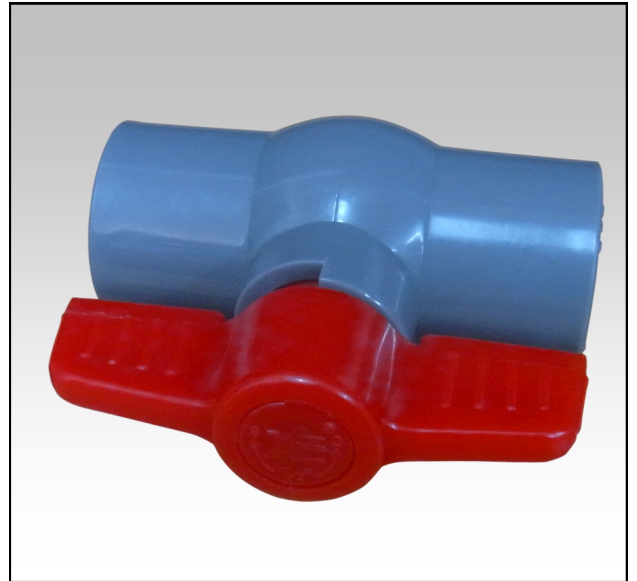
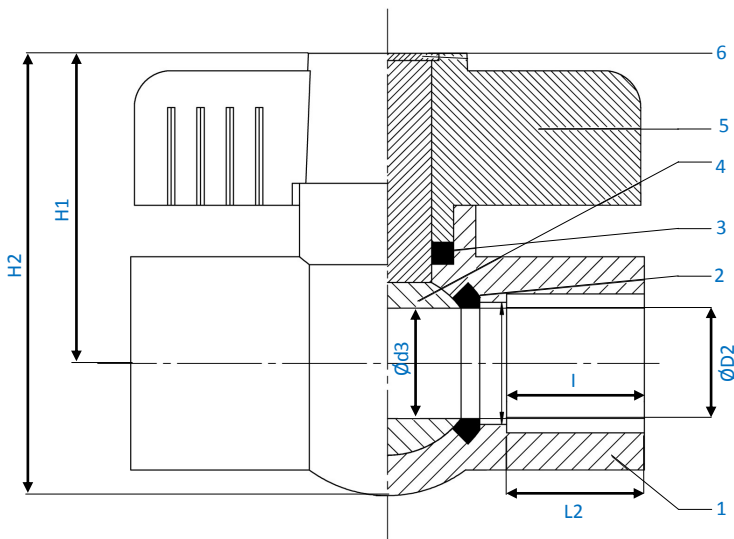
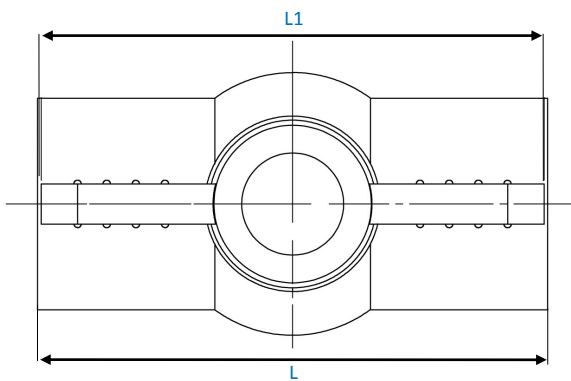


PVC BALL VALVE MODEL PVC0 & PVC1 DN15 - DN100



FEATURES AND BENEFITS

- For Chemical, Irrigation & General Applications
- Size Range: 15mm - 100mm
- 1Piece uPVC Construction
- Threaded BSP End (PVC0)
- Solvent Socket (PVC1)
- Full Bore
- Pressure Rating 150 PSI / 10BAR
- Working Temperature 0-50°C



ITEM	PART NAME	MATERIAL
1	Body	uPVC (Unplasticized Polyvinyl Chloride)
2	Seat Seal	PTFE (Teflon)
3	Stem O-Ring	NBR (Nitrile Rubber)
4	Ball	PP (Polypropylene)
5	Handle	uPVC (Unplasticized Polyvinyl Chloride)
6	Cap	PP (Polypropylene)

APPLICATIONS

Challenger Valves and Actuators are the **“Right Choice for Valves and Actuation”** when quality matters.

Servicing industries such as : Water & Waste Water, Mining, Desalination, Pumping, Industrial Processing, Irrigation, Materials Handling and Chemical Services.

DIMENSIONS AND WEIGHTS									
DN	d3	D	D (DIN)	L	L1	I	H1	H2	Weight (Kg)
15	15	30	28.9	70	69.8	18.8	42.2	60.2	0.06
20	20	36.1	34.4	83.8	76.4	24.6	51.6	73	0.09
25	25	43.6	42.4	94.4	90	28	58.3	84.6	0.15
32	31	52.1	50.1	106.8	102	28.8	62.6	93.6	0.22
40	36	58	60.6	121.5	110	32.4	73.5	109	0.33
50	45	71.8	74.5	138.6	131	35.4	83.5	126.5	0.53
65	60	N/A	88	171	156	42	100	155	0.93
80	73	N/A	105	203	175	50.6	113	179	1.52
100	83	N/A	127.3	243.5	178	69	115	185	2.00