

CHALLENGER ***VALVES AND ACTUATORS***



GATE VALVES

AS2638.2 RESILIENT SEATED GATE VALVE - RSGV



Licence No. **SMKP20472**

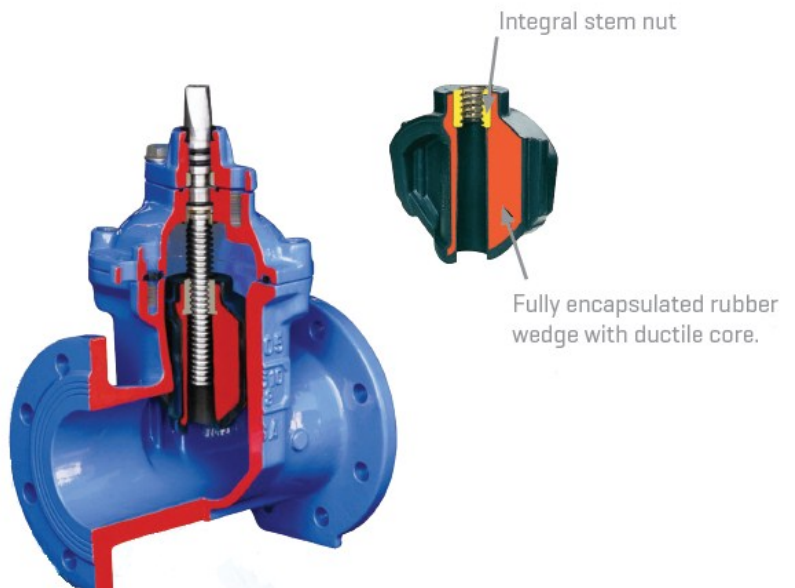
SAI GLOBAL

Australian
Standard

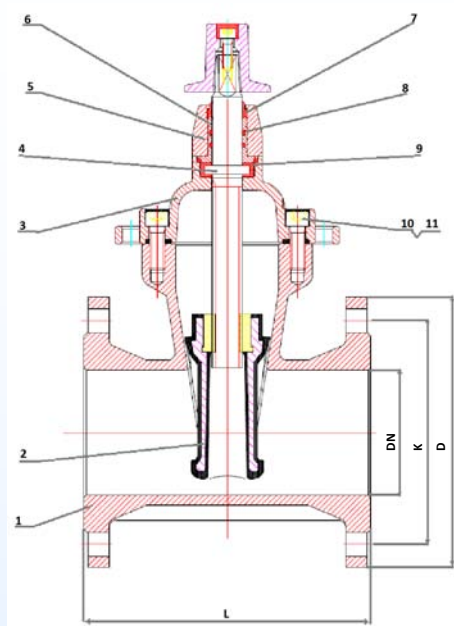
RSGV are type tested in accordance with AS2638.2. These tests include: Gate Strength Test and a Cycle Flow Test, Bi-directional Test. Coatings are tested in full accordance with AS4158 and provide coating thickness and holiday testing.

FEATURES

- AS2638.2 Certified product –SMKP20472
- WSAA Accredited
- AS4020 Water Quality Approved
- AS4158 FBE Coated
- Body and Bonnet are made of high grade Ductile iron to AS1831
- Integral stem nut provides secure wedge spindle fixing and prevents slop and corrosion
- The complete wedge including internal bore is fully encapsulated by rubber, therefore preventing creep and corrosion
- Face to Face AS2638.2
- Flange design to AS4087 B5 Table D
- Size Range: DN80-DN600
(Additional sizes :DN50, DN65, DN700 & DN800 are available upon request, however are not specified in AS2638.2)
- Pressure rating: PN16
- Full Bore
- Full wedge encapsulation
- Ductile iron core
- Drip tight seal
- Back sealing system
- Support feet
- Lifting devices
- ACC and CC available
- ISO Mounting available
- DN225 & DN375 in stock

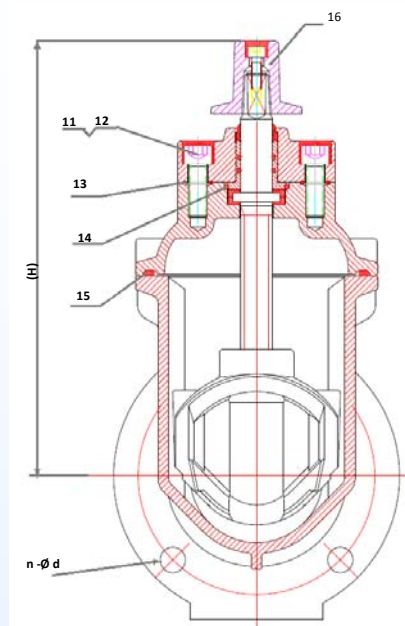


AS2638.2 RESILIENT SEAT GATE VALVE DN50-DN800 KEY CAP OPERATED



Licence No. SMKP20472

SAI GLOBAL



COMPONENT LIST AND MATERIAL

COMPONENT	MATERIAL	STANDARD
1	Body	Ductile Iron, 450-10 AS 1831
2	Gate	Ductile Iron, 450-10, core fully encapsulated with EPDM rubber Integral wedge nut AS1831 AS 1646
3	Bonnet	Ductile Iron, 450-10 AS1831
4	Stem	Stainless Steel, 431 ASTM A276
5	Gland Flange	Ductile Iron, 450-10 AS1831
6	Spindle Seal Retainer	Bronze, C83600 AS 1565
7	Wiper ring	NBR rubber AS 1646
8	O-Ring	NBR rubber AS 1646
9	Washer	POM
10	Cover Bolt	Stainless Steel, 316 ASTM A276
11	Hot Melt Seal	-
12	Cover Bolt	Stainless Steel, 316 ASTM A276
13	O-Ring	NBR rubber AS 1646
14	O-Ring	NBR rubber AS 1646
15	Bonnet Sealing	EPDM rubber AS 1646
16	Key Cap	Ductile Iron, 450-10 AS 1831

DIMENSIONS [MM]

DN	L	H	D	K	n-Ød	WEIGHT (Kg)
*50	180	228	168	114	4-Ø18	13
*65	190	240	185	127	4-Ø18	17
80	203	287	185	146	4-Ø18	20
100	229	302	215	178	4-Ø18	23
150	267	400	280	235	8-Ø18	45
200	292	509	335	292	8-Ø18	70
225	305	596	370	324	8-Ø18	110
250	330	615	405	356	8-Ø22	117
300	356	704	455	406	12-Ø22	197
375	381	905	550	495	12-Ø26	290
400	406	940	580	521	12-Ø26	303
450	432	1245	640	584	12-Ø26	557
500	457	1295	705	641	16-Ø26	597
600	508	1450	825	756	16-Ø30	854
*700	610	1800	895	845	20-Ø30	1417
*750	610	1700	995	927	20-Ø33	1495
*800	660	1850	1015	950	24-Ø34	1551

* Not specified in AS2638.2

NOTES

- Standard valves are key cap operated
- Closure Anti-Clockwise AC or Clockwise CC
- Flanged connection: AS4087 B5
- Pressure rating: PN16
- Temp range: Max 40°C

TEST PRESSURE

- Body: 24 Bar
- Seat: 16 Bar

OPTIONS

- Flange connection: AS2129 E
- Gearbox operator
- Electric actuator
- Extensions
- ISO Top Flange



HEAD OFFICE

3 Glenn Street
Shepparton Victoria 3630
P: 03 5822 1533
F: 03 5822 2277

Email:

shepparton@challengervalves.com.au
accounts@challengervalves.com.au

MELBOURNE

2A Gateway Drive
Carrum Downs Victoria 3201
P: 03 9770 8834
F: 03 9775 0391

SYDNEY

PO Box 343 Panania
New South Wales 2213
P: 02 9980 5985
F: 02 9980 5490

NEWCASTLE

4/10 Pavilion Place
Cardiff New South Wales 2285
P: 02 4956 8518
F: 02 4954 5052

BRISBANE

8/13-27 Selhurst Street
Coopers Plain Queensland 4108
P: 07 3345 7395
F: 07 3345 2344