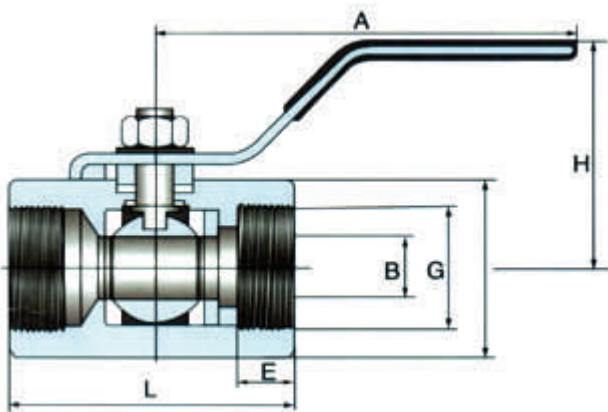


**CHALLENGER****316 STAINLESS STEEL 1 PIECE  
BALL VALVE****MODEL SS1P****FEATURES**

- For general Industrial and Chemical applications
- Economical Compact Design
- Low Operation Torque
- Blow-Out proof Stem
- Investment cast body construction

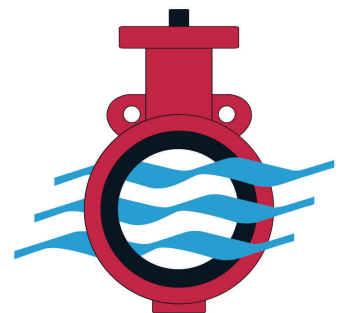
**SPECIFICATIONS**

- **Construction:** 1-piece body, Reduced Bore
- **Size:** 1/4"-2" (8 mm-50 mm)
- **End Connection:** BSP Threaded
- **Body:** CF8M
- **Ball & Stem:** 316 SS
- **Seats:** PTFE
- **Pressure Rating:** 1/4" - 2" 1000psi/PN64
- **Temperature Rating:** - 40~180°C



ITEM	COMPONENT	MATERIAL (ASTM)
1	BODY	CF8M
2	CAP	CF8M
3	BALL	SS316
4	STEM	SS316
5	STEM NUT	SS304
6	STEM WASHER	SS304
7	HANDLE	SS304
8	SEAT	PTFE
9	GLAND	PTFE
10	STEM PACKING	PTFE
11	THRUST WASHER	SS304
12	HANDLE SLEEVE	VINYL
13	JOINT GASKET	PTFE
14	LOCKING DEVICE	SS304

DIMENSIONS							
SIZE MM	G	B	L	E	H	A	W (Kg)
8	1/4"	5	50	15	28	25	0.7
10	3/8"	8	50	15	30	65	0.10
15	1/2"	9.5	56	17	34	85	0.16
20	3/4"	12.5	60	18	40	95	0.25
25	1"	16	71	20	52	110	0.43
32	1 1/4"	20	78	21.5	62	140	0.70
40	1 1/2"	25	96	23	68	140	0.83
50	2"	32	101	24.5	75	155	1.50



**CHALLENGER**  
valves and actuators