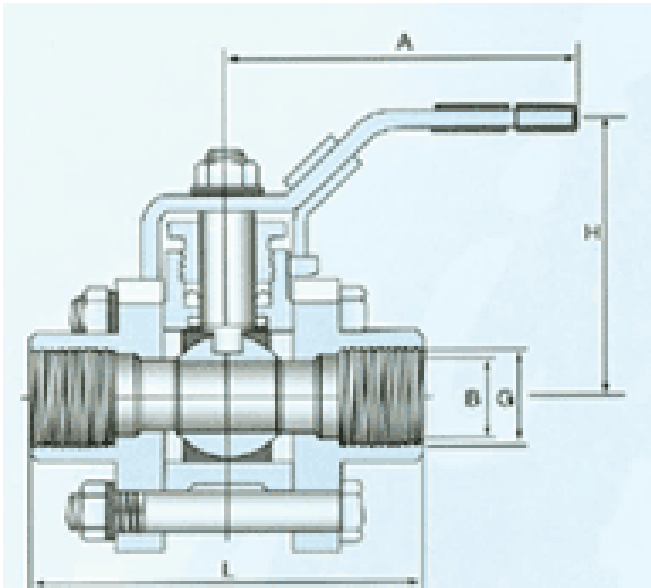


CHALLENGER**316 STAINLESS STEEL 3 PIECE
BALL VALVE****MODEL SS3P****FEATURES**

- For general Industrial and Chemical applications
- Economical Compact Design
- Low Operation Torque
- Blow-Out proof Stem
- Investment cast body construction

SPECIFICATIONS

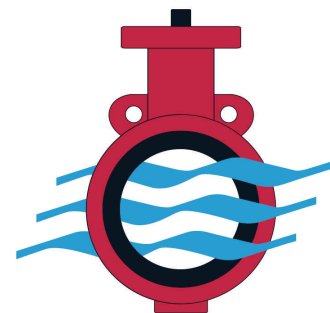
- Construction: 3-piece body, Full Bore
- Size: 1/4"-2" (8 mm-100 mm)
- End Connection: BSP Threaded
- Body: CF8M
- Ball & Stem: 316 SS
- Seats: PTFE
- Pressure Rating: 1/4" - 4 " 1000psi/PN64
- Temperature Rating: - 40~180°C

**LIST OF MATERIALS:**

ITEM	COMPONENT	MATERIAL (ASTM)
1	BODY	CF8M
2	CAP	CF8M
3	BALL	SS316
4	STEM	SS316
5	STEM NUT	SS304
6	STEM WASHER	SS304
7	HANDLE	SS304
8	SEAT	PTFE
9	GLAND	PTFE
10	STEM PACKING	PTFE
11	THRUST WASHER	SS304
12	HANDLE SLEEVE	VINYL
13	JOINT GASKET	PTFE
14	LOCKING DEVICE	SS304

DIMENSIONS

SIZE MM	G	B	L	H	A	W (Kg)
8	1/4"	5	50	28	25	0.7
10	3/8"	8	50	30	65	0.10
15	1/2"	9.5	56	34	85	0.16
20	3/4"	12.5	60	40	95	0.25
25	1"	16	71	52	110	0.43
32	1 1/4"	20	78	62	140	0.70
40	1 1/2"	25	96	68	140	0.83
50	2"	32	101	75	155	1.50
65	2 1/2"	64	174	142	250	7.10
80	3"	76	193	155	250	10.50
100	4"	100	216	172	300	20.76

**CHALLENGER**
valves and actuators