

# CMW-BVA Valves Pty Ltd

A.B.N. 006 321 704

## PVC STANDARD PORT BALL VALVE



ITEM NO.: PVC0 (BSPF) / PVC1 (SOCKET)

JOINT END: THREADED BSPF  
SOCKET ANSI

SIZES: ½" – 4"

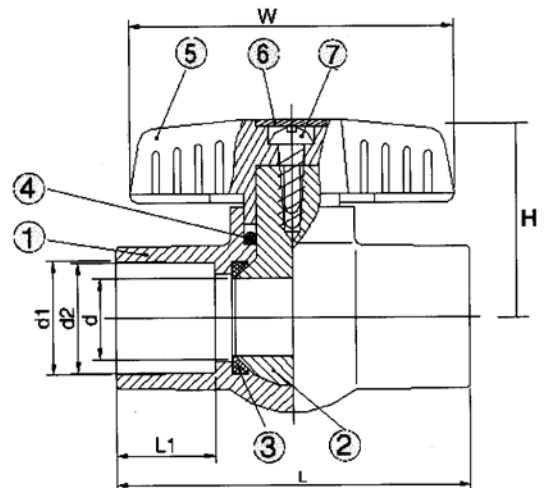
WORKING PRESSURE: 200PSI

| NO. | PARTS       | PCS | MATERIALS         |
|-----|-------------|-----|-------------------|
| 1   | BODY        | 1   | UPVC P.P CPVC     |
| 2   | STEM & BALL | 1   |                   |
| 3   | SEAT        | 2   | EPDM              |
| 4   | STEM O-RING | 1   | EPDM              |
| 5   | HANDLE      | 1   | ABS               |
| 6   | CAP         | 1   | ABS               |
| 7   | BOLT        | 1   | ZINC-PLATED STEEL |

### ANSI DIMENSIONS

UNIT : MM

| SIZE | d    | d1     | d2     | L   | H     | W   |
|------|------|--------|--------|-----|-------|-----|
| ½"   | 14.5 | 21.54  | 21.23  | 78  | 23    | 70  |
| ¾"   | 18.5 | 26.87  | 26.57  | 90  | 26.12 | 79  |
| 1"   | 23.8 | 33.66  | 33.27  | 105 | 29.80 | 99  |
| 1 ¼" | 29.5 | 42.42  | 42.04  | 122 | 33.10 | 112 |
| 1 ½" | 33.8 | 48.56  | 48.10  | 130 | 35.60 | 112 |
| 2"   | 44.2 | 60.63  | 60.17  | 148 | 38.80 | 138 |
| 2 ½" | 65   | 73.38  | 72.85  | 179 | 43    | 174 |
| 3"   | 78   | 89.31  | 88.7   | 205 | 50    | 190 |
| 4"   | 100  | 114.76 | 114.07 | 253 | 60    | 248 |



**HEAD OFFICE**  
Shepparton  
Melbourne  
Newcastle  
Brisbane

3 Glenn Street, (PO Box 1745), Shepparton Vic 3630. PH (03) 5822 1533, FAX (03) 5822 2277  
Mobile 0408 335 831  
4/10 Pavilion Place, Cardiff NSW 2285. PH (02) 4956 8518, FAX (02) 4954 5052.  
8/13-25 Selhurst Street, Coopers Plains QLD 4108. PH (07) 3345 7395, FAX (07) 3344 2373



**Quality  
Endorsed  
Company**

ISO 9002 OEC 10507  
Standards Australia

Shepparton Site Only