

CHALLENGER

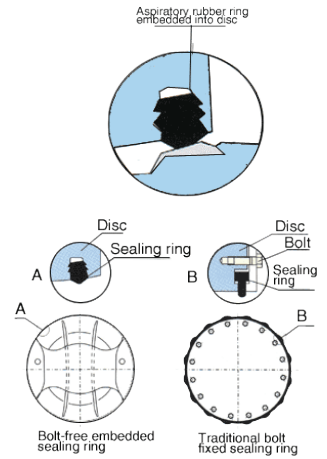
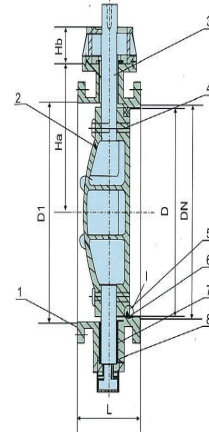
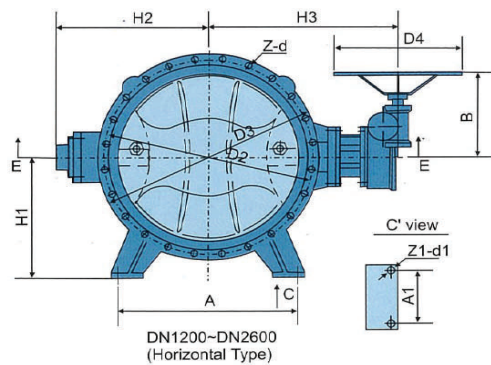
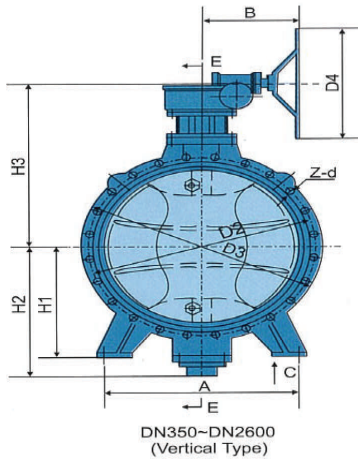
SEAL ON DISC ECCENTRIC BUTTERFLY VALVES

350 mm—1000 mm PN16
1200 mm—2600 mm PN10

MODEL DFBV

Features

- Structural design complies with BS5155
- Flange Drilling Table D
- Operating System can Worm Gear Operated , Pneumatic or Electric Actuator.
- Eccentric disc Dual parallel joist structure, Min flow obstruction , Vibration Free even with high flow rates, energy saving.
- Stainless Steel Seat arrangement
- Unique sealing ring with saw toothed sides, embedded directly into disc, bolt free connection, easy in line replacement of seal. Uniformed & tight sealing effect. Aspiratory rubber sealing ring, prolong service life.
- Unique tapered pin design, bolt free & clearance free connection, eccentric pin maintains strength of shaft. Large contact area, tight for long service, good exchangeability.
- Excellent sealing effect leakage free even under ± 1 degree offset between sealing ring and seat.
- Self Lubricating type shaft bearing, small operation friction and no oil required.



DN	D	D1	L	A	A1	Z1-d1	Ha	Hb	H1	H2	D2	D3	z-d	B	H3	D4
350	325	370	190				255	100		311	470	520	16-28	336	463	220
400	375	426	216				289.8	100		353	525	580	16-31	336	498	220
450	425	475	222				322.5	100		390	585	640	20-31	351	559	350
500	475	525	229	500	150	4-21	350	115	400	432	650	715	20-34	402	604	350
600	575	624	267	600	150	4-23	431	115	450	514	770	840	20-37	439	685	350
700	670	728	292	700	220	4-23	496	115	500	591	840	910	24-37	519	848	500
800	770	832	318	800	220	4-23	566.8	115	550	682	950	1025	24-40	648	919	500
900	870	922	330	900	220	4-27	600	115	600	720	1050	1125	28-40	648	1002	500
1000	970	1023	410	1000	220	4-27	708.5	150	650	833	1170	1255	28-43	664	1170	500
1200	1160	1226	470	1200	230	4-27	850.2	145	750	992	1380	1455	32-39	648	1282	500
1400	1360	1422	530	1400	230	4-33	980	225	850	1116	1590	1675	36-42	664	1522	500
1600	1560	1627	600	1600	230	4-33	1065	225	1000	1235	1820	1915	40-48	778	1647	600
1800	1760	1837	670	1800	240	4-40	1275.3	200	1150	1478	2020	2115	44-48	1034	1874	600
2000	2000	2025	760	2000	260	4-40	1400	247	1250	1590	2230	2325	48-48	1200	2049	700
2200	2150	2225	1000	2200	280	4-46	1500	245	1350	1695	2440	2550	52-56	1200	2216	700
2400	2350	2425	1100	2400	280	4-46	1650	245	1600	1900	2650	2760	56-56	1200	2366	700
2600	2550	2630	1200	2600	320	4-48	1800	245	1750	2000	2850	2960	60-56	1200	2516	700