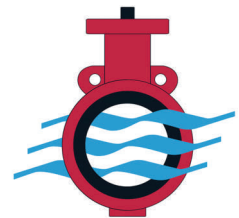


**CHALLENGER**

**DOUBLE FLANGED CONCENTRIC  
21BAR BUTTERFLY VALVE  
80 mm - 100 mm**

**MODEL  
DFBF**

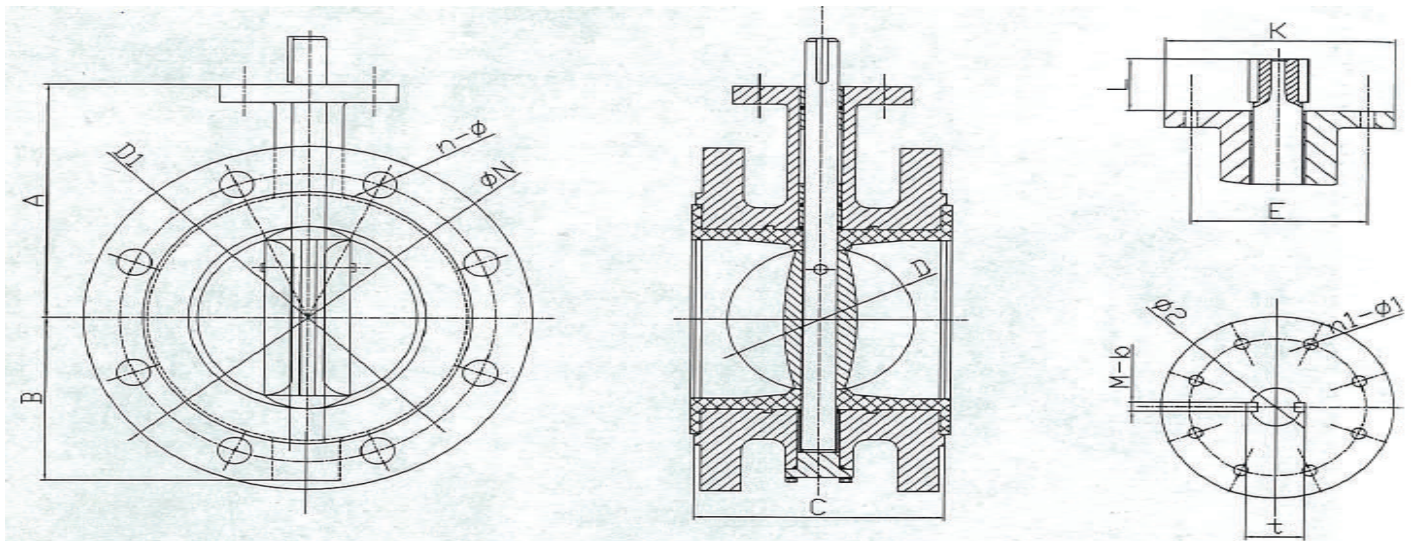
TYPE DFBF  
DUCTILE IRON BODY  
STAINLESS STEEL DISC & STEM  
FACE TO FACE STANDARD: ISO 5752  
SIZE RANGE: DN80 (2") & DN100(4")  
WORKING PRESSURE: PN21  
WORKING TEMPERATURE: -15°C TO 150° C  
FLANGE CONNECTION : Table F  
OPERATION OPTIONS: LEVER, GEARBOX, ELECTRIC OR PNEUMATIC ACTUATOR.



**CHALLENGER**  
valves and actuators

**Features**

- No leakage at the contact surface of rubber and body's inner liner as liner is completely vulcanized to body.
- Solid Rubber liner with limited movement can provide high reliability in long term running operation of thousands of cycles.
- Drip type sealing achieved with low torques for high pressure sealing.
- Flange design with good centring capability allow this valve to be suitable for dead end services allows pipe to be removed either side of valve without lose of medium.



DN Size		Flange Connection							Top Mounting Flange						
(mm)	(Inch)	A	B	C	D	N	D1	T	n-Ø	K	E	L	n1-Ø1	Ø2	N2-b
80	3"	181	95	114	77.3	200	160	22	8x19	77	50	32	4x7	12.6	1-3
100	4"	200	114	127	102.7	220	180	24	8x19	92	70	32	4x10	15.7	1-5