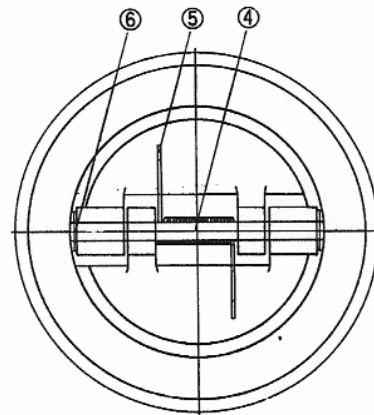
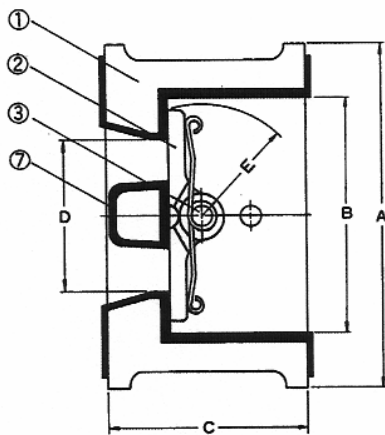


**CHALLENGER****CAST IRON WAFER CHECK VALVES  
RUBBER LINED 10 BAR RATED****MODEL WCR****FEATURES**

- SIZE RANGE: 50MM - 300MM
- 10 BAR RATED
- WAFER DESIGN
- LINED BODY
- STAINLESS STEEL PLATES
- WAFER TO SUIT AS2129 TABLE E FLANGES



ITEM	COMPONENT	MATERIAL (ASTM)
1	BODY	CAST IRON A126-B
2	PLATES	STAINLESS STEEL CF8M
3	HINGE PIN	STAINLESS STEEL F304
4	STOP PIN	STAINLESS STEEL F304
5	SPRING	STAINLESS STEEL F316
6	WASHER	PTFE
7	SEAT & LINER	EPDM or NITRILE

**DIMENSIONS AND WEIGHTS**

SIZE MM	50	65	80	100	125	150	200	250	300
FACE TO FACE -C	60	67	73	73	83	98	127	146	181
A -Ø	104	123	134	158	190	219	270	332	377
B	71	80	92	119	143	169	225	280	329
D	46	51	67	90	110	139	190	240	283
E	32	35	42	55	66	80	107	132	154
WEIGHT KGS	1.9	2.8	3.4	5.5	7.5	10.7	18.6	29.5	49.6