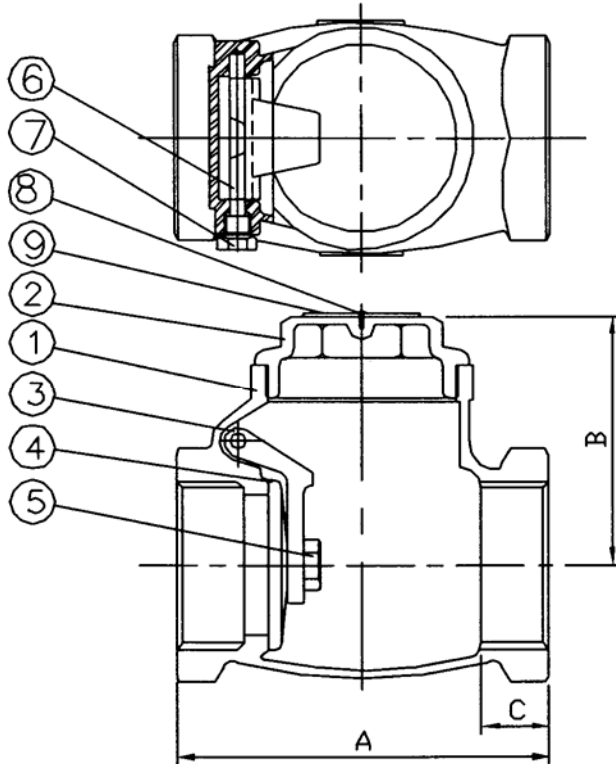


CMW-BVA Valves Pty Ltd

A.B.N. 006 321 704

AS1628 Tested Bronze Swing Check



Design features

Working Pressure – PN20
 Hydrostatic closure seat test accordance with ISO5208.
 Valves comply with requirements of AS1628.
 Body markings comply with requirements of AS1628.
 Pipe Thread Ends to BS21. Designed to AS1628.

Working temperature

99°C / 1.7Mpa

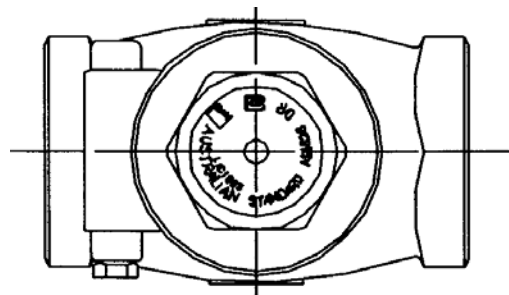
Sizes

1/2" to 3"

NO	PARTS	MATERIALS
1	BODY	BRONZE AS C83600
2	BONNET	BRONZE AS C83600
3	STEM	BRASS AS 352
4	DISC	BRONZE AS C83600
5	LOCK NUT	BRASS AS 352
6	PACKING NUT	BRASS AS 352
7	GLAND	BRASS AS 352
8	GLAND PACKING	TEFLON
9	HANDWHEEL	CAST IRON
10	WHEEL NUT	MILD STEEL
11	NAME PLATE	ALUMINUM

DIMENSIONS In mm

SIZE	L	D	H
1/2"	53	12.7	85
3/4"	57	19.05	91
1"	65	25.4	109
1 1/4"	75	31.75	125
1 1/2"	78	38.1	137
2"	91	50.8	162
2 1/2"	102	63.5	211
3"	112	76.2	231



HEAD OFFICE
Shepparton
Melbourne
Newcastle
Brisbane

3 Glenn Street, (PO Box 1745), Shepparton Vic 3630. PH (03) 5822 1533, FAX (03) 5822 2277
 Mobile 0408 335 831
 4/10 Pavilion Place, Cardiff NSW 2285. PH (02) 4956 8518, FAX (02) 4954 5052.
 8/13-25 Selhurst Street, Coopers Plains QLD 4108. PH (07) 3345 7395, FAX (07) 3344 2373



**Quality
 Endorsed
 Company**

ISO 9002 DEC 10507
 Standard Australia

Shepparton Site Only