

CHALLENGER

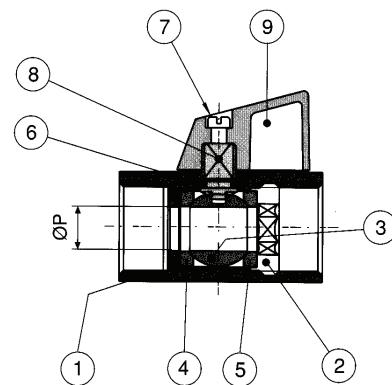
BRASS MINI BALL VALVE

MODEL 3830 & 3831

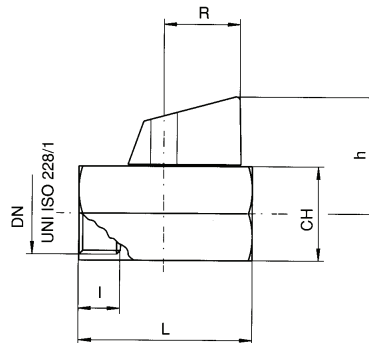
FEATURES

- SIZE RANGE: 6MM-15MM (1/8" - 1/2")
- THREADS: DN UNI ISO 228/1-G
- TEMPERATURE: -20°C to 90°C
- MAXIMUM PRESSURE: 1000kPa

ITEM	COMPONENT	MATERIAL (ASTM)
1	BODY	EN 12165 Cu Zn 40 Pb2Sn
2	WASHER	EN 12165 Cu Zn 40 Pb2Sn
3	BALL	EN 12165 Cu Zn 40 Pb2Sn
4	BALL SEAT	P.T.F.E.
5	BALL SEAT	P.T.F.E.
6	O-RING	NBR
7	SCREW	ACCIAIO
8	STEM	EN 12165 Cu Zn 40 Pb2Sn
9	HANDLE	ABS

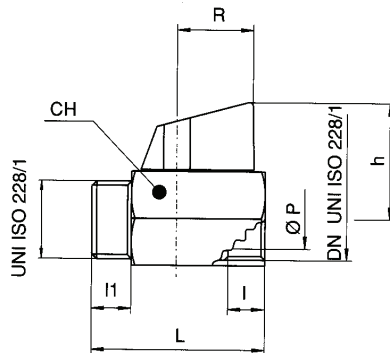
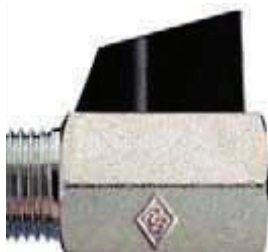


MODEL 3830



DIMENSIONS				
SIZE MM	6	8	10	15
P	8	8	8	10
CH	21	21	21	25
I	8	10	10	11
h	29	29	29	31
L	41	41	41	46
R	20.5	20.5	20.5	20.5

MODEL 3831



DIMENSIONS				
SIZE MM	6	8	10	15
P	8	8	8	10
CH	21	21	21	25
h	29	29	29	31
I1	8	10	10	11
I	8	10	10	11
L	41	41	41	46
R	20.5	20.5	20.5	20.5