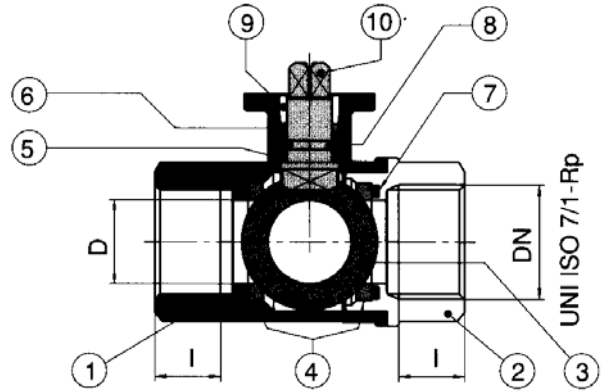


BRASS BALL VALVE (Direct Mount) ISO 5211 PAD FOR ACTUATORS

MATERIALS

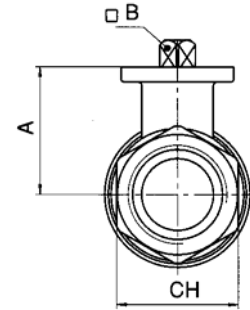
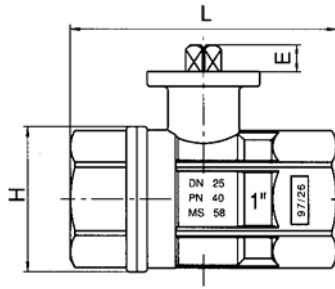
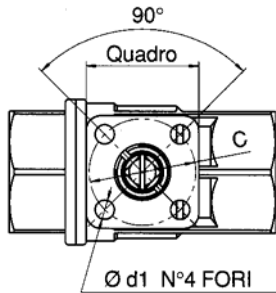
	PART NAME	MATERIAL
1	BODY	EN 12165 Cu Zn 40 Pb2Sn
2	END CONN.	EN 12165 Cu Zn 40 Pb2Sn
3	BALL	EN 12165 Cu Zn 40 Pb2Sn
4	BALL SEAT	P.T.F.E. (TEFLON)
5	ANTIFRICTION SEAT	P.T.F.E. (TEFLON)
6	STEN SEAT	P.T.F.E. (TEFLON)
7	O-RING	FKM (VITON)
8	O-RING	FKM (VITON)
9	WASHER	EN 12165 Cu Zn 40 Pb2Sn
10	STEM	EN 12165 Cu Zn 40 Pb2Sn



THREADS
7/1

F&F Rp-R-ISO

WORKING TEMPERATURE -20°C to 160°C



DN	D	QUADRO	A	B	C	d1	E	H	I	L	CH	Kv	PN	Kg	Torque Nm	
1/4"	8	14.2	38	30.5	9	36	6	7	33.5	11	67	27	5.4	40	.35	6
3/8"	10	14.2	38	30.5	9	36	6	7	33.5	11.4	67	27	6	40	.35	6
1/2"	15	14.2	38	30.5	9	36	6	7	33.5	15	67	27	16.3	40	.30	6
3/4"	20	19	38	32.5	9	36	6	7	40	16.3	76	32	16.3	40	.40	6
1"	25	24.2	38	43	9	36	6	9	49	19.1	90	41	29.5	40	.71	6
1 1/4"	32	30	38	46.5	9	36	6	9	58.5	21.4	102	50	43	40	1.05	6
1 1/2"	40	38	50	61	11	50	7	10.75	71.5	21.4	114	55	230	40	1.43	17
2"	50	50.2	50	70.25	11	50	7	10.75	91.5	25.7	138	70	265	40	2.67	17
2 1/2"	65	65	70	85	14	70	9	15	113	30.2	165	90	540	40	3.98	31
3"	80	76	70	94.5	14	70	9	15	135	33.3	188	105	810	40	6.10	31
4"	100	95	70	116	17	70	9	18	166	39.3	225	130	1280	40	10.25	73

Torques in the above table are emitted in laboratory tests under the following conditions. Temperature: 20°C Pressure: 0 bar.
We recommend the valve use in fully open or closed, not in mid position, and to manoeuvre the valve at least twice a year.