

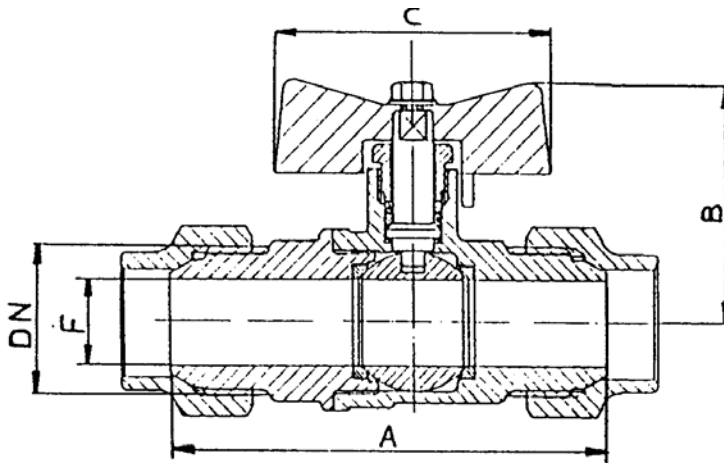
CHALLENGER

**BRASS BALL VALVE
COMPRESSION END**

MODEL 360

FEATURES

- SIZE RANGE: 10MM - 20MM
- AGA APPROVED
- 10 BAR RATED
- TEMP 60° C
- THREADS: ISO 228/1
- AGA CERTIFICATE 4240



ITEM	COMPONENT	MATERIAL (ASTM)
1	BODY	0t-58 BRASS NICKEL PLATED
2	COUPLING	EPDM or NITRILE
3	BALL	CF8M SS or DUCTILE IRON
4	STEM SEAL	PTFE
5	SEAT	PTFE
6	HANDLE	ALUMINIUM

DIMENSIONS			
SIZE MM	3/8	1/2	3/4
FACE TO FACE - A	67	72	78
VALVE CENTRE TO TOP - B	40	43	52
HANDLE - C	50	50	50
CONNECTION - F	8	10	15
TUBE	8	13	15